

MW410 VCOs FOR EGSM APPLICATIONS



SPECIFICATIONS

Frequency Range:
634 MHz @ 1V
669 MHz @ 4V

Supply Voltage:
+5V

Supply Current:
<20 mA

Tuning Voltage (VT):
1 to 4 V

Output Power:
7±2 dBm

Tuning Sensitivity:
<1.5:1 MHz/V

Phase Noise:
@200 kHz: -125 dBc/Hz
@600 kHz: -137 dBc/Hz

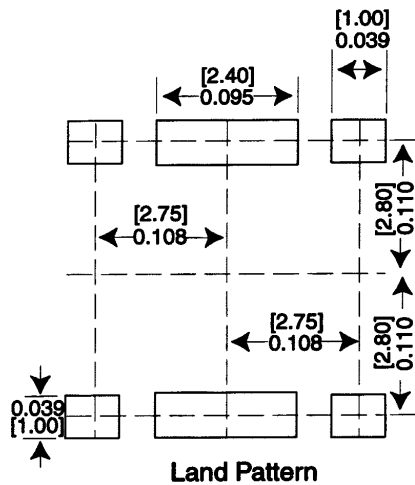
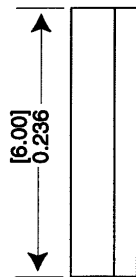
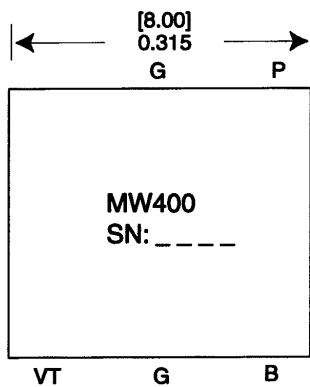
Harmonic Suppression:
-22 dBc

Pushing:
<1 MHz/V

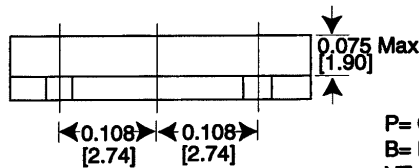
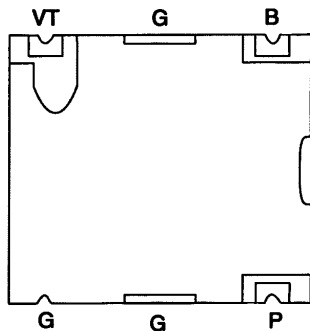
Pulling:
<3 MHz

Operating Temperature:
-40 to +85° C

MW400 VCO PACKAGE OUTLINE



Land Pattern



P= Output
B= Power Supply
VT= Tuning Voltage
G= Ground

NOTE:

1. There is no mark of terminals on the product.
2. Unit: mm

MICRONETICS
WIRELESS