

INPUT LIMITING

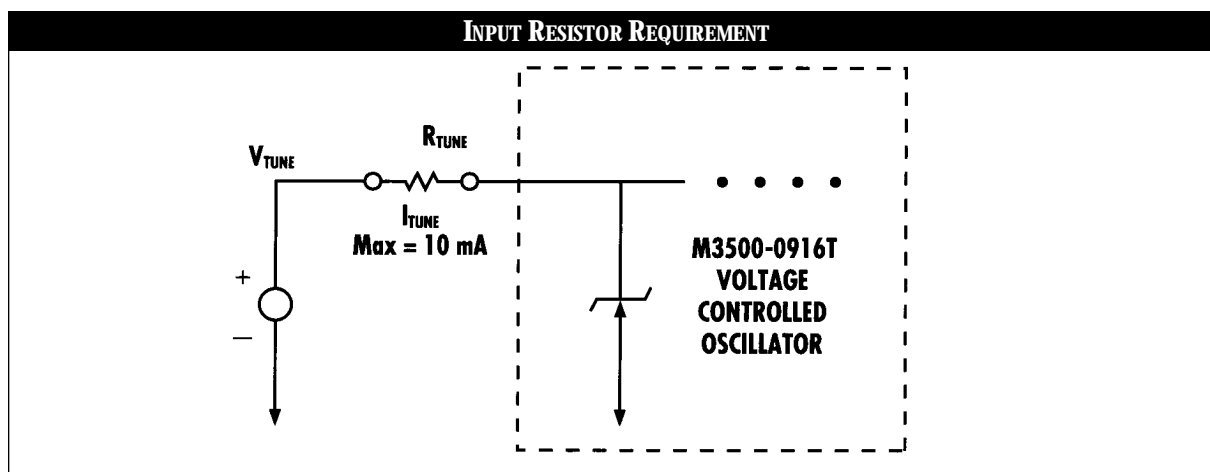
INPUT VOLTAGE LIMITING (ON M3500-0916 ONLY)

The M3500-0916 uses an input zener diode to clamp the input voltage at 13V. This guarantees that the VCO always has an output at high tune voltages.

Micronetics recommends that an input

resistor be used in designs where the input tune line voltage may be larger than 13V in order to limit the current flow through the zener diode. See below for suggested R_{TUNE} values versus the maximum tune voltage.

The M3500-0916 is the only version that requires input voltage limiting.



R_{TUNE} VERSUS MAXIMUM TUNE VOLTAGE

V_{TUNE}	R_{TUNE} ($I_{TUNE} = 10$ mA)
13V	0
15V	200
20V	700