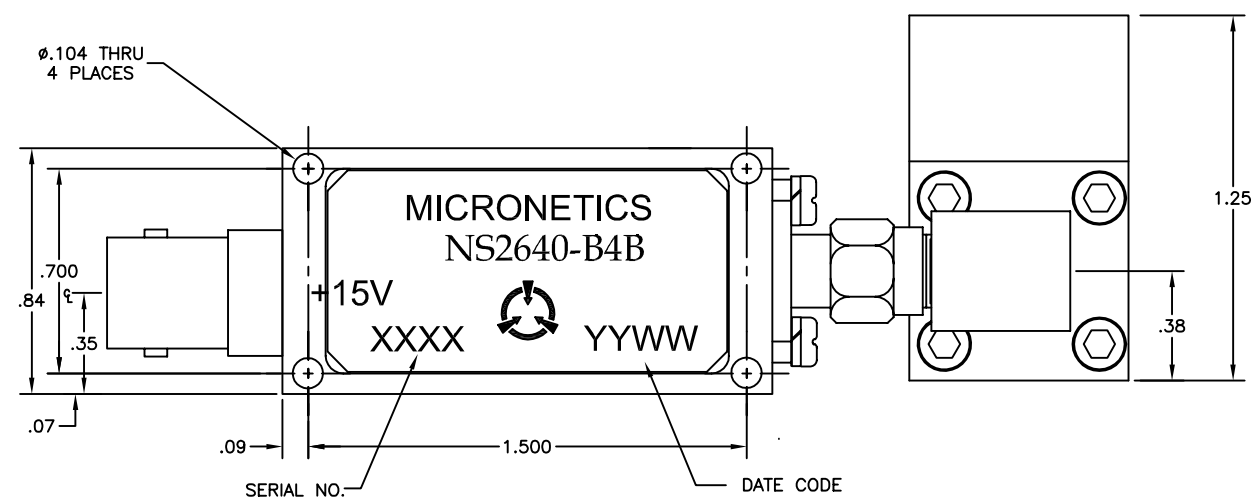
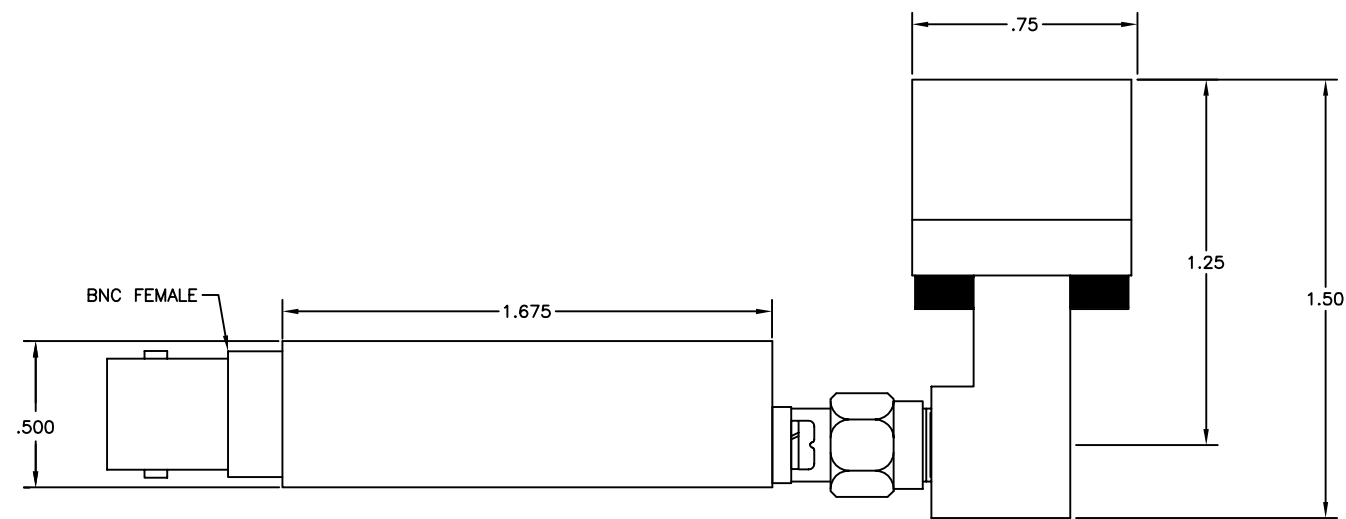



REVISIONS					
REV.	DESCRIPTION	DATE	APPROVED		
			ENG	QC	MFG
-	ENGINEERING PRELIMINARY				



- NOTES:
1. NOISE SOURCE FINISH: GOLD OVER NICKEL
  2. ISOLATOR FINISH: TBD

UNLESS OTHERWISE SPECIFIED DIMENSIONS ARE IN INCHES TOLERANCES ARE: FRACTIONS    DECIMALS    ANGLES ±                .XX± .02                ± .XXX± .010	CONTRACT NO.		 26 HAMPSHIRE DRIVE • HUDSON, N.H. 03051 TEL: (603) 883-2900 • FAX: (603) 882-8987			
	APPROVALS	DATE				
MATERIAL SEE NOTE	DRAWN B.ALEXANDER	4/10/03	<h1>OUTLINE DRAWING</h1>			
FINISH SEE NOTE	CHECKED					
DO NOT SCALE DRAWING		ISSUED	SIZE B	FSCM NO. 54487	DWG. NO. NS2640-B4B-70	REV. -
			SCALE N/A	DO NOT SCALE	SHEET 1 OF 1	