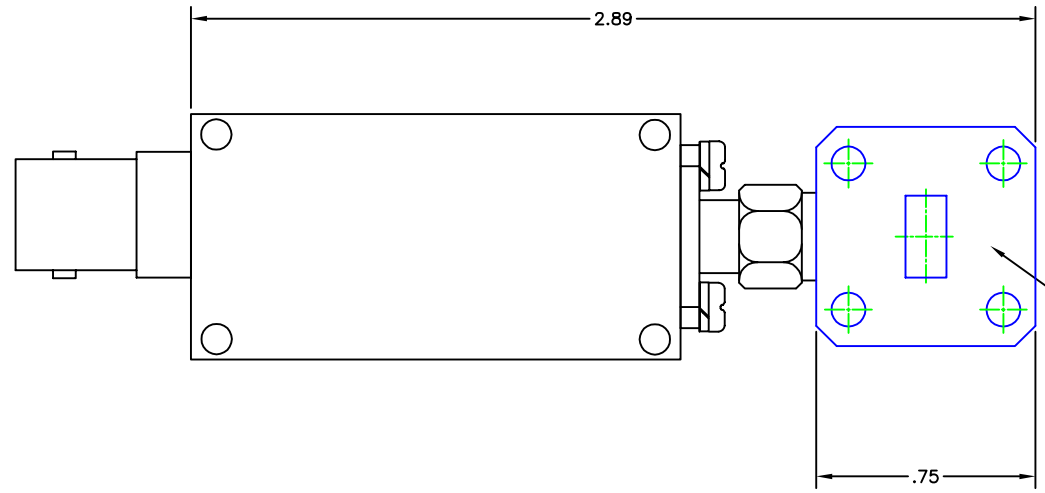
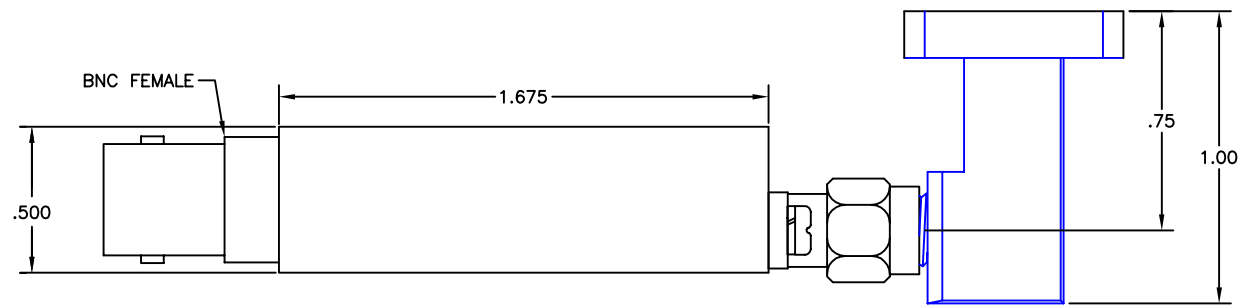


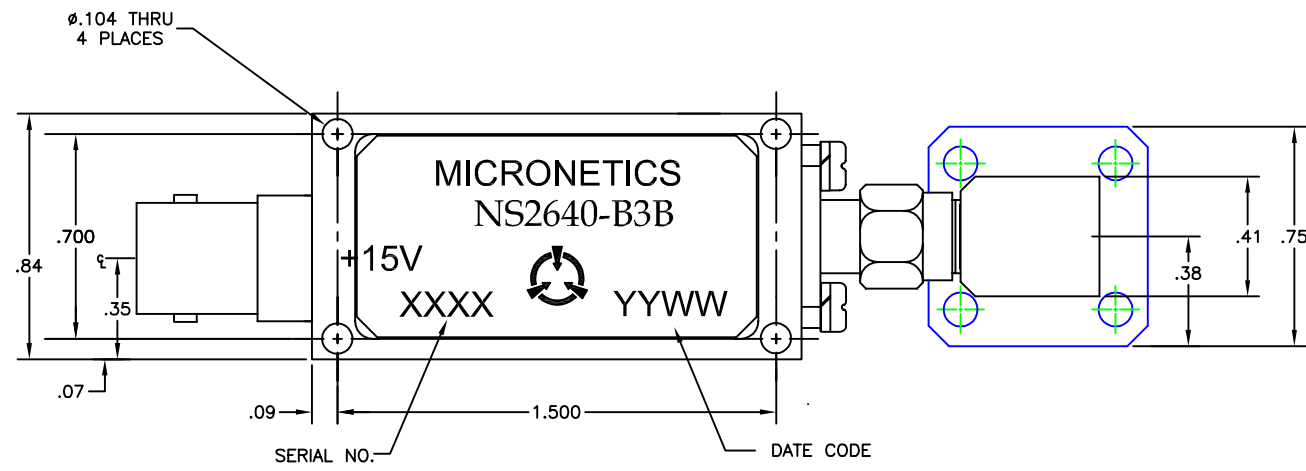
REVISIONS					
REV.	DESCRIPTION	DATE	APPROVED		
			ENG	QC	MFG
-	ENGINEERING PRELIMINARY				




WR-28 WAVEGUIDE
W/UC599/U FLANGE



- NOTES:
1. NOISE SOURCE FINISH: GOLD OVER NICKEL
 2. WAVEGUIDE FINISH: GOLD OVER NICKEL



UNLESS OTHERWISE SPECIFIED DIMENSIONS ARE IN INCHES TOLERANCES ARE: FRACTIONS DECIMALS ANGLES ± .XX± .02 ± .XXX± .010	CONTRACT NO.		 26 HAMPSHIRE DRIVE • HUDSON, N.H. 03051 TEL: (603) 883-2900 • FAX: (603) 882-8987			
	APPROVALS	DATE				
MATERIAL SEE NOTE	DRAWN B.ALEXANDER	4/10/03	<h1>OUTLINE DRAWING</h1>			
FINISH SEE NOTE	CHECKED					
DO NOT SCALE DRAWING	ISSUED		SIZE B	FSCM NO. 54487	DWG. NO. NS2640-B3B-70	REV. -
			SCALE N/A	DO NOT SCALE	SHEET 1 OF 1	